

ARROW Freezer M2 Rapid Roll Door



The ARROW Freezer M2 Rapid Roll Door is specifically designed for cold store and freezer applications. High operating speed and excellent seal allow efficient traffic flow while minimizing temperature variations. Optionally, an insulated curtain is available for additional savings on energy costs.

The absence of rigid elements in the curtain and the soft bottom edge make the ARROW Freezer M2 Rapid Roll the safe choice for all personnel.

User Safe - Flexible Curtain without rigid elements or bars

Fast Opening Speeds: 2.4m/s opening, 1.2m/s closing

Heated Side Posts

Push Pull Technology

Superior Seal without blade or brush

Self-repairing

Option of Insulated Curtain (warm side) to prevent condensation and icing

Conforms to EN13241-1

Delivering Excellence - from design to lifetime support

www.arrow-industrial.co.uk

The ARROW Freezer M2 Rapid Roll Door - Outline Data

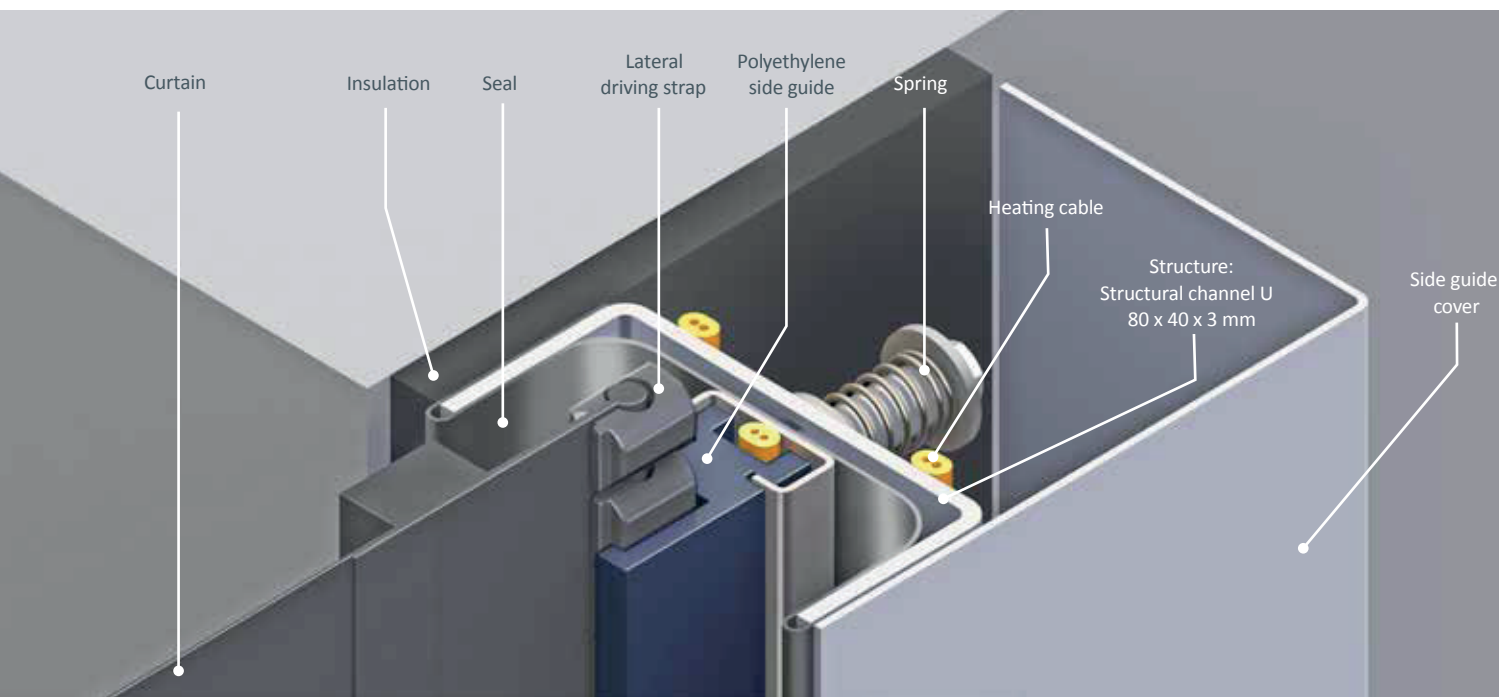
EN13241-1 STANDARDS

Standard	Ref.	Test acc.	Results
Water permeability	EN 12425	EN 12489	Class 1
Wind load	EN 12424	EN 12444	Class 1
Wind permeability	EN 12426	EN 12427	Class 1
Safe openings	EN 12453	EN 12445	Pass
Mechanical resistance	EN 12604	EN 12605	Pass
Unintended movements	EN 12604	EN 12605	Pass
Thermal resistance	EN 12428	EN 12428	6,02 W/m ² K
Performance (cycles)	EN 12604	EN 12605	1.000.000

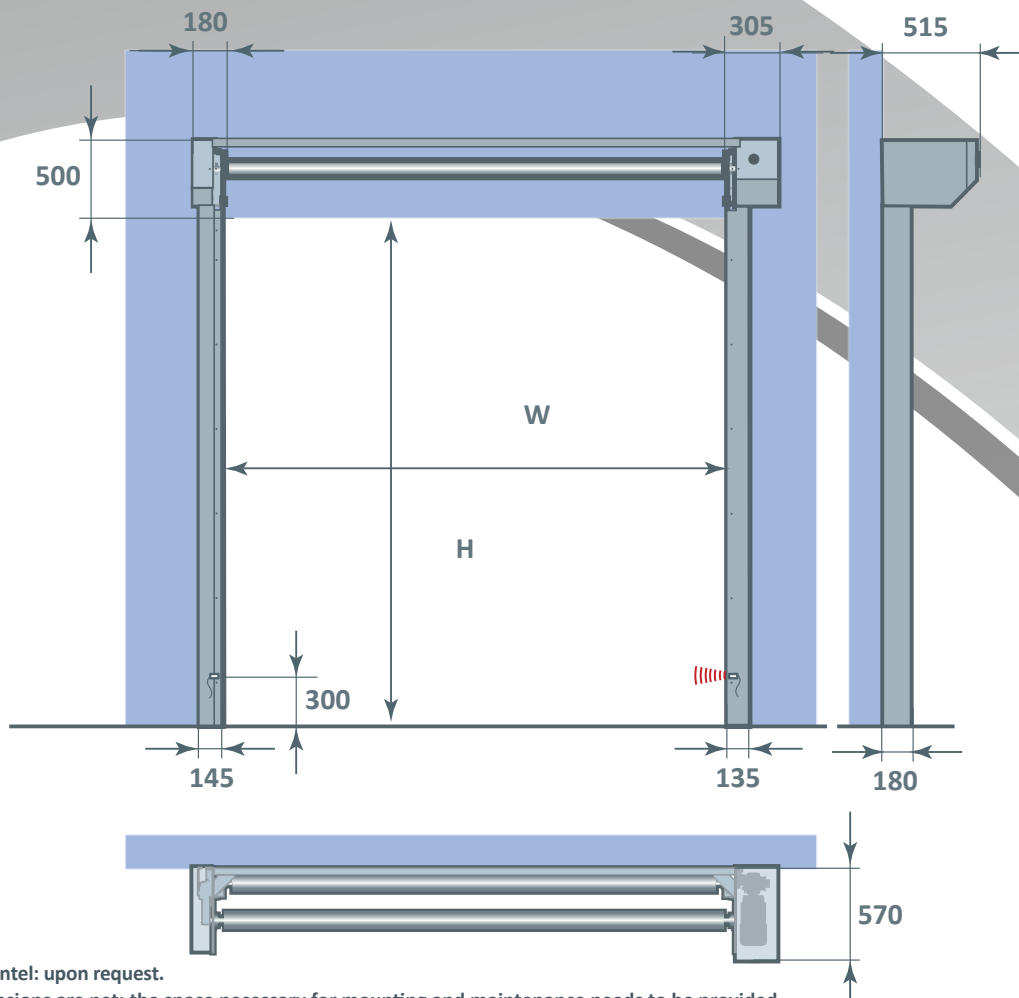
CHARACTERISTICS

Max. dimensions	W 4.000 mm x H 5.500 mm	
Opening speed	With standard curtain Up to 2,4 m/s	With insulating curtain Up to 1,2 m/s
Closing speed	1,2 m/s	1,2 m/s
Structure	Galvanised steel: 80 x 40 x 3 mm. Option: stainless steel.	
Drum	Steel - Ø 102 x 2 mm.	
Side guides	Reinforced polyethylene (PE-UHMW1000) on springs, heated	
Motor	4 poles, without brake. Power 1,5 kW IP rating: IP 65	
Control box	Box provided with: circuit breaker, general divider, adjustable timer, push button for opening and reset and emergency stop. IP rating: IP 54. Frequency inverter.	
Standard detectors	Infrared barrier: 300 mm from the floor. Wireless detector	
Power supply	Single phase 230V - 23 A	
Frequency	Frequency: 50-60 Hz	
Advised operating temperature:	- 30°C up to +5°C	
Available colours comparable with:	Yellow RAL1003	Green RAL6005
	Orange RAL2004	Grey RAL7035
(Actual colours may deviate. Colour samples available upon request)	Red RAL3000	White RAL9010
	Blue RAL5002	Black RAL9005

Side guide and lateral driving strap view



Dimensions and installation requirements ARROW FREEZER M2



* Option reduced lintel: upon request.

All indicated dimensions are net: the space necessary for mounting and maintenance needs to be provided. Weekly maintenance (de-icing) is necessary.

Note: Based on the risk analysis of the environment, extra push buttons and detectors might be required.

© ARROW Industrial Group Ltd - 2015

Delivering Excellence - from design to lifetime support

www.arrow-industrial.co.uk



Arrow Industrial Group Ltd
930 Hedon Road, Hull, HU9 5QN

E: info@arrow-industrial.co.uk
W: www.arrow-industrial.co.uk

T: 01482 228202
F: 01482 218697